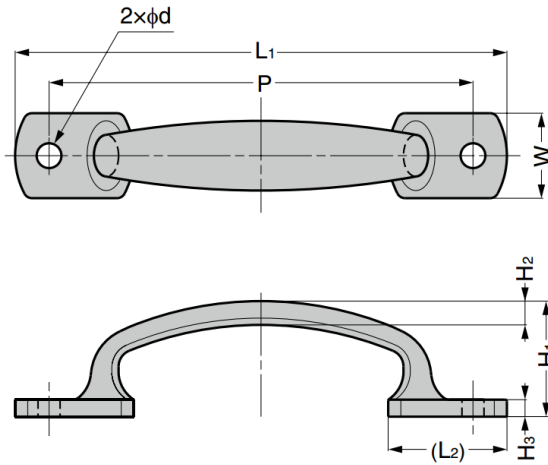


G3LC Stainless Steel Handle

Material

- Stainless steel 316, polished



Part No.	L_1	L_2	W	H_1	H_2	H_3	P	d
G3LC-120	120	29	20	30	6	5	105	5.5
G3LC-130	130	30	22	33	7	6	115	
G3LC-145	145	35	25	34			125	6.5

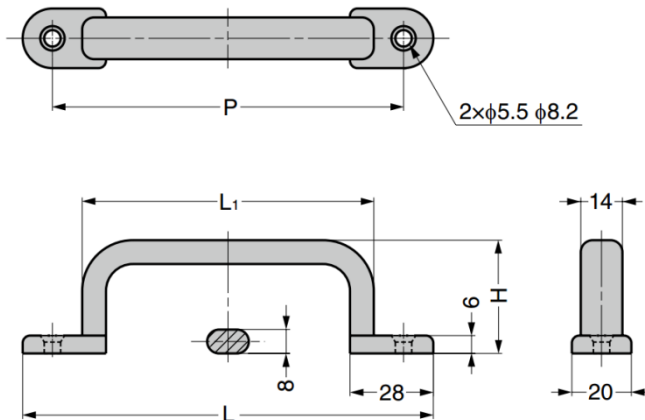
GEC-Y Stainless Steel Handle

Material

- Stainless steel 303, polished

Parts Included

- Raised countersunk head tapping screw 4x20 (SUS)



Part No.	L	L_1	H	P
GEC-Y-140	140	100	38	120
GEC-Y-160	160	120	40	140
GEC-Y-190	190	150	42	170